



Matthew G. Bevin
Governor

COMMONWEALTH OF KENTUCKY
TRANSPORTATION CABINET
Frankfort, Kentucky 40622
www.transportation.ky.gov/

Greg Thomas
Secretary

July 12, 2016

CALL NO. 102
CONTRACT ID NO. 161245
ADDENDUM # 1

Subject: Jefferson County, NHPP IM 2653 (039)
Letting July 29, 2016

- (1) Replace - Structure Plans - Drawing # 27563 - Sheets S1 through S5
- (2) Revised - Bid Items - Pages 208-211 of 211

Proposal revisions are available at <http://transportation.ky.gov/Construction-Procurement/>.

Plan revisions are available at <http://www.lynnimaging.com/kytransportation/>.

If you have any questions, please contact us at 502-564-3500.

Sincerely,

A handwritten signature in cursive script that reads "Rachel Mills".

Rachel Mills, P.E.
Director
Division of Construction Procurement

RM:ks
Enclosures

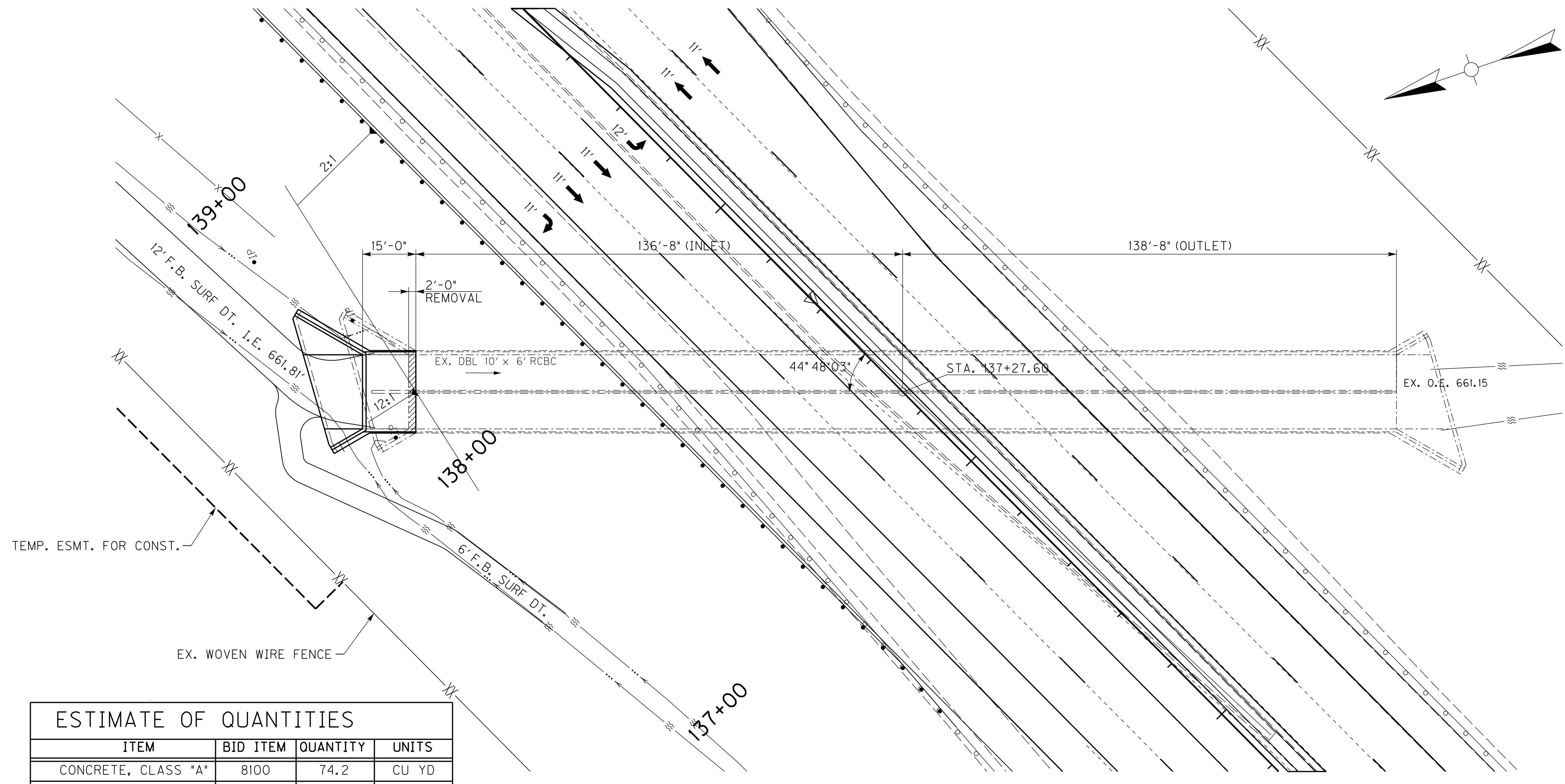


An Equal Opportunity Employer M/F/D

FILE NAME: T:\KYTC\13 PROJECTS\213-090 JEFFERSON COUNTY I-265 @ KY 3084 INTERCHANGE 5-474.00\STRUCTURE\PLANS\S1-LAYOUT.DGN
 USER: jbur+
 DATE PLOTTED: July 8, 2016
 E-SHEET NAME:
 MicroStation v8.11.7.443

GENERAL NOTES

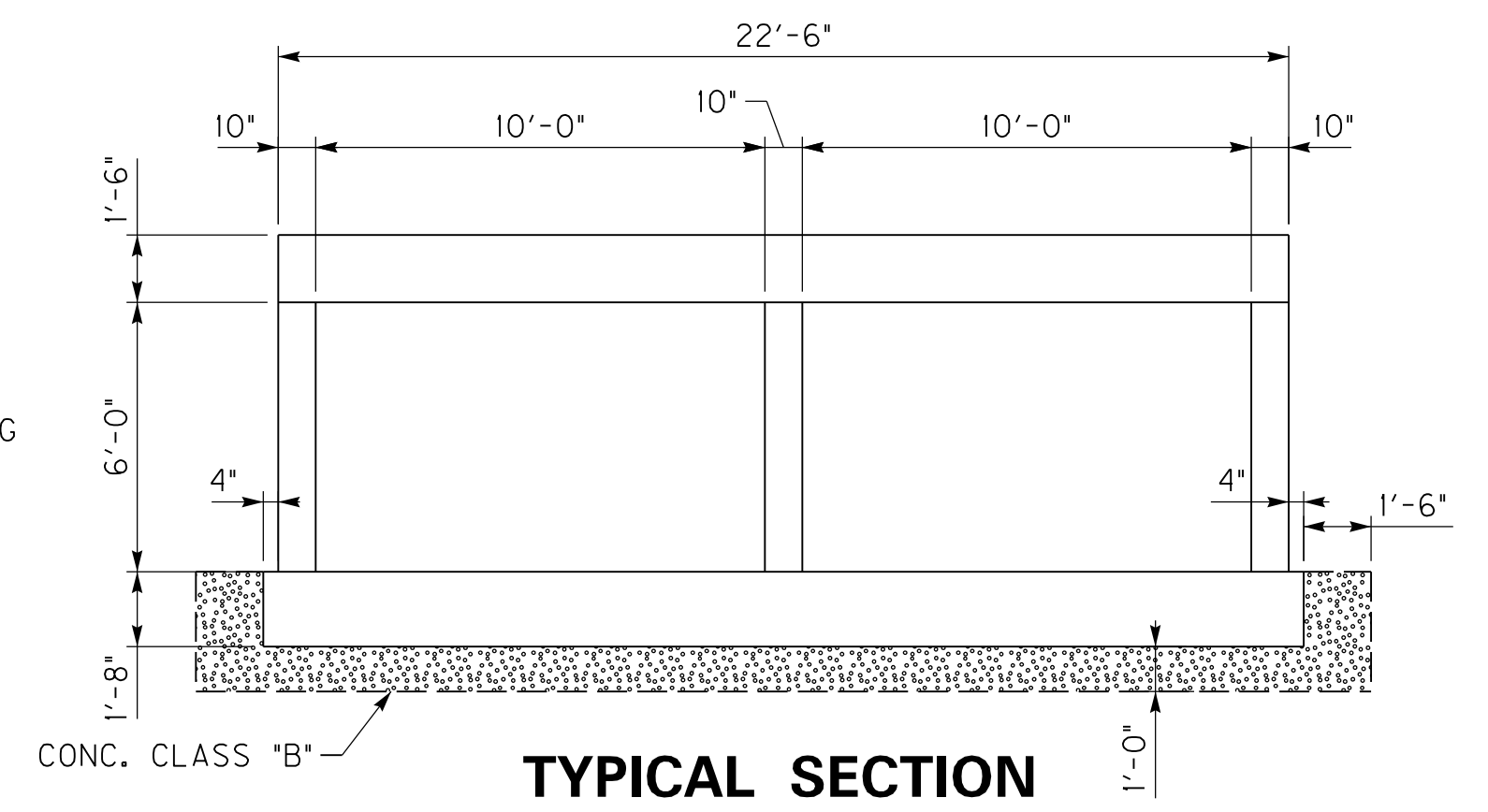
SPECIFICATIONS
 ALL REFERENCES TO THE STANDARD SPECIFICATIONS ARE TO THE CURRENT EDITION OF THE KENTUCKY DEPARTMENT OF HIGHWAYS STANDARD SPECIFICATIONS FOR ROAD AND BRIDGE CONSTRUCTION, WITH CURRENT SUPPLEMENTALS.
 ALL REFERENCES TO THE AASHTO SPECIFICATIONS ARE TO THE CURRENT EDITION OF THE AASHTO LRFD BRIDGE DESIGN SPECIFICATIONS, WITH CURRENT INTERIMS.
DESIGN LOADS
 CULVERT SLABS ARE DESIGNED FOR FLEXURE IN ACCORDANCE WITH THE AASHTO SPECIFICATIONS. THE EFFECTIVE WEIGHT OF FILL MATERIALS IS 120 LBS. PER CUBIC FOOT AND THE LIVE LOAD IS KY HL-93. THE KY HL-93 LIVE LOAD IS ARRIVED AT BY INCREASING THE STANDARD HL-93 TRUCK AND LANE LOADS AS SPECIFIED IN THE AASHTO SPECIFICATIONS BY 25%.
DESIGN METHOD
 ALL REINFORCED CONCRETE MEMBERS ARE DESIGNED BY THE LRFD METHOD AS SPECIFIED IN THE CURRENT AASHTO SPECIFICATIONS.
DESIGN STRESSES
 FOR CLASS "A" CONCRETE F'C = 3,500 PSI
 FOR REINFORCEMENT F_y = 60,000 PSI
CONCRETE
 CLASS "A" CONCRETE SHALL BE USED THROUGHOUT.
REINFORCEMENT
 DIMENSIONS SHOWN FROM THE FACE OF CONCRETE TO BARS ARE CLEAR DISTANCES UNLESS OTHERWISE SHOWN. SPACING OF BARS IS FROM CENTER TO CENTER OF BARS.
CONSTRUCTION JOINTS
 VERTICAL CONSTRUCTION JOINTS SHALL BE LOCATED IN THE FIELD, EXCEPT THAT NO CONSTRUCTION JOINT SHALL BE LOCATED IN THE BARREL WITHIN 6.5 FEET OF THE ENDS OF THE CULVERT.
BEVELED EDGES
 ALL EXPOSED EDGES SHALL BE BEVELED 3/4" UNLESS NOTED OTHERWISE.
FOOTING PRESSURE
 FOUNDATION MATERIALS UNDER WING FOOTINGS ARE REQUIRED TO RESIST A MAXIMUM BEARING PRESSURE OF 4500 PSF.
FOUNDATION
 IF SOLID ROCK IS NOT ENCOUNTERED AT THE DESIGN FOOTING ELEVATION, THE REMAINING OVERBURDEN SHALL BE EXCAVATED TO SOLID ROCK AND REPLACED WITH CONCRETE CLASS "B".
EXISTING CULVERT
 EXISTING CULVERT WAS CONSTRUCTED USING METRIC PLANS (SEE DWG # 23970) PROPOSED EXTENSION IS BASED ON CONVERSION TO ENGLISH UNITS. FIELD VERIFY DIMENSIONS BEFORE FABRICATION.
 TEMPORARY SHEETING, SHORING, COFFERDAMS OR DEWATERING METHODS MAY BE REQUIRED FOR INSTALLATION OF CULVERT.
 SOLID ROCK EXCAVATION MAY BE NECESSARY IN ORDER TO REACH THE SPECIFIED FLOWLINE ELEVATION.



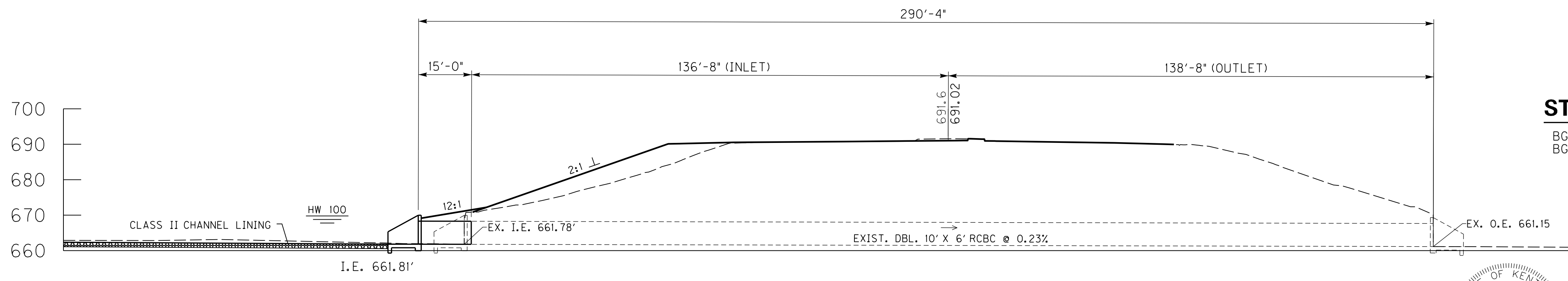
ESTIMATE OF QUANTITIES			
ITEM	BID ITEM	QUANTITY	UNITS
CONCRETE, CLASS "A"	8100	74.2	CU YD
STEEL REINFORCEMENT	8150	10335	LB
REMOVE CONCRETE MASONRY	2403	25.7	CU YD
FOUNDATION PREPARATION	8003	1	LS
STRUCTURE EXCAVATION SOLID ROCK	8002	38.4	CU YD
CONCRETE, CLASS "B"	2555	17.3	CU YD

PLAN

COMPLETION OF STRUCTURE
 THE CONTRACTOR IS REQUIRED TO COMPLETE THE STRUCTURE IN ACCORDANCE WITH THE PLANS AND SPECIFICATIONS. MATERIAL, LABOR OR CONSTRUCTION OPERATIONS, NOT OTHERWISE SPECIFIED, ARE TO BE INCLUDED IN THE BID ITEM MOST APPROPRIATE TO THE WORK INVOLVED. THIS MAY INCLUDE COFFERDAMS, SHORING, EXCAVATIONS, BACKFILLING, REMOVAL OF ALL OR PARTS OF EXISTING STRUCTURES, PHASE CONSTRUCTION, INCIDENTAL MATERIALS, LABOR, OR ANYTHING ELSE REQUIRED TO COMPLETE THE STRUCTURE.



TYPICAL SECTION

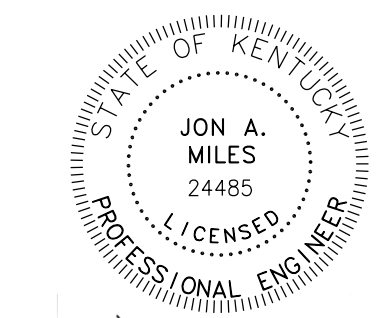


ELEVATION

DBL, 10' X 6' RCBC @ 44°48'03" SKEW RT.
 NON YIELDING FOUNDATION-KYHL-93 LOADING
 2:1 SLOPES - 23' MAX FILL

STANDARD DRAWINGS

BGX-006-10
 BGX-012-02

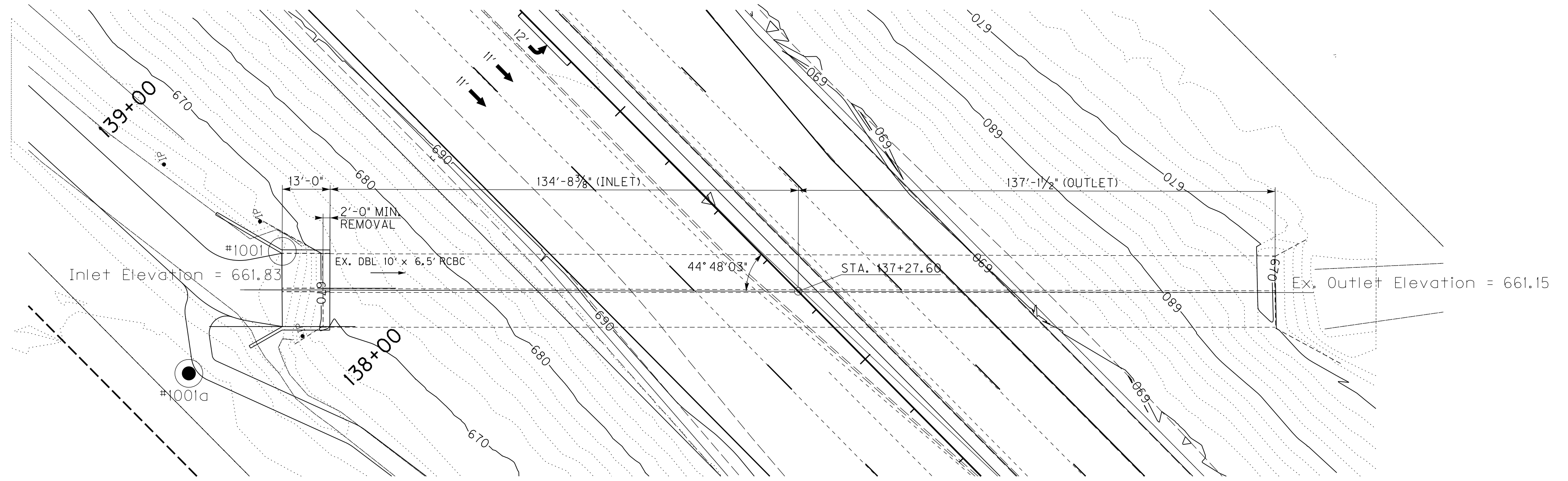
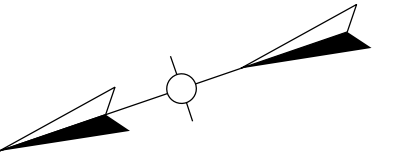


Jon Miles
 7/7/16

ITEM NUMBER
5-474.00

REVISION		DATE
DATE: 7-7-2016	CHECKED BY	
DESIGNED BY: J. MILES	K. OTT	
DETAILED BY: J. BURT	J. MILES	
Commonwealth of Kentucky		
DEPARTMENT OF HIGHWAYS		
COUNTY		
JEFFERSON		
ROUTE	CROSSING	
OLD HENRY RD.	DBL. 10' X 6' RCBC	
PREPARED BY		SHEET NO.
2500 Nelson Miller Parkway Louisville, KY 40223 (502) 245-3813		S1
AMERICAN ENGINEERS, INC. PROFESSIONAL ENGINEERING		DRAWING NO.
www.aei.cc		27563

SUBSURFACE DATA

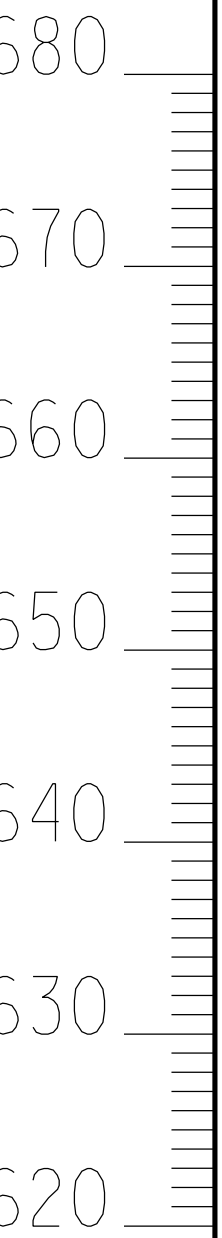


Profile Scale:
Vertical 1" = 10'
Horizontal not to scale

Hole No.
Station
Offset
Elev.
(Sea level datum)

1000A
138+34
141 L+.
667.6

1001
138+40
97 L+.
662.9



KYRQD REC.
95 73
100 97

LIMESTONE, fine to medium grained,
light to medium gray, thin to thick
bedded, hard, stylolitic

Top of rock elev.= 660.6
Base of weathered rock elev.= 660.4

ROD SOUNDING

FLOWLINE

R
(661.5)

Datum

The Allowable Bearing Capacity For Spread
Footings on Sound Bedrock is 24 ksf

FILE NAME: T:\KYTC\13 PROJECTS\213-090 JEFFERSON COUNTY I-265 @ KY 3084 INTERCHANGE 5-474.00\STRUCTURE\PLANS\5-5 GEOTECH.DGN
 USER: jbur+
 DATE PLOTTED: July 8, 2016
 E-SHEET NAME:
 MicroStation v8.11.7.443

DATE: 7-7-2016	CHECKED BY:
DESIGNED BY: J.MILES	
DETAILED BY: J.CHILDRESS	

Commonwealth of Kentucky
DEPARTMENT OF HIGHWAYS

COUNTY
JEFFERSON

ROUTE CROSSING
OLD HENRY RD. DBL. 10' X 6' RCBC

SUBSURFACE DATA

S-063-2016

ITEM NUMBER

5-474.00

SHEET 1 OF 1

PREPARED BY
AEI
2500 Nelson Miller Parkway
Louisville, KY 40223
(502) 245-3813
AMERICAN ENGINEERS, INC.
PROFESSIONAL ENGINEERING
www.aei.cc

SHEET NO.
S5
DRAWING NO.
27563

PROPOSAL BID ITEMS

REVISED ADDENDUM #1: 7-12-16

161245

Page 1 of 4

Report Date 7/12/16

Section: 0001 - PAVING

LINE	BID CODE	ALT	DESCRIPTION	QUANTITY	UNIT	UNIT PRIC	FP	AMOUNT
0010	00003		CRUSHED STONE BASE	5,471.00	TON		\$	
0020	00078		CRUSHED AGGREGATE SIZE NO 2	14,947.00	TON		\$	
0030	00100		ASPHALT SEAL AGGREGATE	52.00	TON		\$	
0040	00103		ASPHALT SEAL COAT	7.00	TON		\$	
0050	02069		JPC PAVEMENT-10 IN	6,137.00	SQYD		\$	
0060	02081		JPC PAVEMENT-8 IN SHLD	2,641.00	SQYD		\$	
0070	02083		JPC PAVEMENT-10 IN SHLD	1,130.00	SQYD		\$	
0080	02084		JPC PAVEMENT-8 IN	5,301.00	SQYD		\$	

Section: 0002 - ROADWAY

LINE	BID CODE	ALT	DESCRIPTION	QUANTITY	UNIT	UNIT PRIC	FP	AMOUNT
0090	01000		PERFORATED PIPE-4 IN	56.00	LF		\$	
0100	01010		NON-PERFORATED PIPE-4 IN	16.00	LF		\$	
0110	01020		PERF PIPE HEADWALL TY 1-4 IN	1.00	EACH		\$	
0120	01028		PERF PIPE HEADWALL TY 3-4 IN	1.00	EACH		\$	
0130	01890		ISLAND HEADER CURB TYPE 1	115.00	LF		\$	
0140	01919		STANDARD BARRIER MEDIAN TYPE 3	1,734.00	SQYD		\$	
0150	01987		DELINEATOR FOR GUARDRAIL BI DIRECTIONAL WHITE	31.00	EACH		\$	
0160	02014		BARRICADE-TYPE III	4.00	EACH		\$	
0170	02058		REMOVE PCC PAVEMENT	7,548.00	SQYD		\$	
0180	02060		PCC PAVEMENT DIAMOND GRINDING	43,725.00	SQYD		\$	
0190	02159		TEMP DITCH	5,808.00	LF		\$	
0200	02160		CLEAN TEMP DITCH	5,808.00	LF		\$	
0210	02200		ROADWAY EXCAVATION	24,218.00	CUYD		\$	
0220	02242		WATER (FOR DUST CONTROL)	120.00	MGAL		\$	
0230	02261		FENCE-WOVEN WIRE	250.00	LF		\$	
0240	02265		REMOVE FENCE	250.00	LF		\$	
0250	02351		GUARDRAIL-STEEL W BEAM-S FACE	2,012.50	LF		\$	
0260	02360		GUARDRAIL TERMINAL SECTION NO 1	1.00	EACH		\$	
0270	02363		GUARDRAIL CONNECTOR TO BRIDGE END TY A	2.00	EACH		\$	
0280	02381		REMOVE GUARDRAIL	2,619.00	LF		\$	
0290	02391		GUARDRAIL END TREATMENT TYPE 4A	2.00	EACH		\$	
0300	02483		CHANNEL LINING CLASS II	2,613.00	TON		\$	
0310	02484		CHANNEL LINING CLASS III	277.00	TON		\$	
0320	02545		CLEARING AND GRUBBING (APPROXIMATELY 29 ACRES)	1.00	LS		\$	
0330	02562		TEMPORARY SIGNS	100.00	SQFT		\$	
0340	02650		MAINTAIN & CONTROL TRAFFIC	1.00	LS		\$	
0350	02671		PORTABLE CHANGEABLE MESSAGE SIGN	2.00	EACH		\$	
0360	02701		TEMP SILT FENCE	2,904.00	LF		\$	
0370	02703		SILT TRAP TYPE A	58.00	EACH		\$	
0380	02704		SILT TRAP TYPE B	58.00	EACH		\$	
0390	02705		SILT TRAP TYPE C	29.00	EACH		\$	

PROPOSAL BID ITEMS

REVISED ADDENDUM #1: 7-12-16

161245

Page 2 of 4

Report Date 7/12/16

LINE	BID CODE	ALT	DESCRIPTION	QUANTITY	UNIT	UNIT PRIC	FP	AMOUNT
0400	02706		CLEAN SILT TRAP TYPE A	174.00	EACH		\$	
0410	02707		CLEAN SILT TRAP TYPE B	174.00	EACH		\$	
0420	02708		CLEAN SILT TRAP TYPE C	87.00	EACH		\$	
0430	02726		STAKING	1.00	LS		\$	
0440	03295		EXPAN JOINT REPLACE 2 IN	204.00	LF		\$	
0450	03299		ARMORED EDGE FOR CONCRETE	204.00	LF		\$	
0460	05950		EROSION CONTROL BLANKET	139.00	SQYD		\$	
0470	05952		TEMP MULCH	140,360.00	SQYD		\$	
0480	05953		TEMP SEEDING AND PROTECTION	140,360.00	SQYD		\$	
0490	05963		INITIAL FERTILIZER	14.60	TON		\$	
0500	05964		20-10-10 FERTILIZER	4.80	TON		\$	
0510	05985		SEEDING AND PROTECTION	91,960.00	SQYD		\$	
0520	05989		SPECIAL SEEDING CROWN VETCH	4,066.00	SQYD		\$	
0530	05992		AGRICULTURAL LIMESTONE	87.00	TON		\$	
0540	06540		PAVE STRIPING-THERMO-4 IN W	10,770.00	LF		\$	
0550	06541		PAVE STRIPING-THERMO-4 IN Y	6,184.00	LF		\$	
0560	06542		PAVE STRIPING-THERMO-6 IN W	5,631.00	LF		\$	
0570	06543		PAVE STRIPING-THERMO-6 IN Y	3,312.00	LF		\$	
0580	06544		PAVE STRIPING-THERMO-8 IN W	365.00	LF		\$	
0590	06546		PAVE STRIPING-THERMO-12 IN W	369.00	LF		\$	
0600	06568		PAVE MARKING-THERMO STOP BAR-24IN	369.00	LF		\$	
0610	06569		PAVE MARKING-THERMO CROSS-HATCH	8,219.00	SQFT		\$	
0620	06572		PAVE MARKING-DOTTED LANE EXTEN	276.00	LF		\$	
0630	06574		PAVE MARKING-THERMO CURV ARROW	110.00	EACH		\$	
0640	08504		EPOXY SAND SLURRY	80.00	SQYD		\$	
0650	08526		CONC CLASS M FULL DEPTH PATCH	33.00	CUYD		\$	
0660	08534		CONCRETE OVERLAY-LATEX	125.00	CUYD		\$	
0670	08549		BLAST CLEANING	2,998.00	SQYD		\$	
0680	08551		MACHINE PREP OF SLAB	2,998.00	SQYD		\$	
0690	10020NS		FUEL ADJUSTMENT	16,216.00	DOLL	\$1.00	\$	\$16,216.00
0700	20550ND		SAWCUT PAVEMENT	10,473.00	LF		\$	
0710	22665EN		REMOVE NON-MOUNTABLE MEDIAN	3,785.00	SQYD		\$	
0720	24489EC		INLAID PAVEMENT MARKER	292.00	EACH		\$	
0730	24731EC		REMOVE AND RESET (CURB BOX INLET, TOP PHASE AT BRIDGE ENDS)	2.00	EACH		\$	

Section: 0003 - DRAINAGE

LINE	BID CODE	ALT	DESCRIPTION	QUANTITY	UNIT	UNIT PRIC	FP	AMOUNT
0740	00469		CULVERT PIPE-42 IN	38.00	LF		\$	
0750	01214		PIPE CULVERT HEADWALL-42 IN	1.00	EACH		\$	
0760	01310		REMOVE PIPE	4.00	LF		\$	
0770	08100		CONCRETE-CLASS A	50.00	CUYD		\$	
0780	08150		STEEL REINFORCEMENT	3,642.00	LB		\$	
0790	24076EC		CONCRETE ANCHOR (FOR PIPE)	1.00	EACH		\$	

PROPOSAL BID ITEMS

REVISED ADDENDUM #1: 7-12-16

161245

Page 3 of 4

Report Date 7/12/16

Section: 0004 - BRIDGE - CULVERT #1- DWG. 27563

LINE	BID CODE	ALT	DESCRIPTION	QUANTITY	UNIT	UNIT PRIC	FP	AMOUNT
0800	02403		REMOVE CONCRETE MASONRY	25.70	CUYD		\$	
0810	02555		CONCRETE-CLASS B	17.30	CUYD		\$	
0820	08002		STRUCTURE EXCAV-SOLID ROCK	38.40	CUYD		\$	
0830	08003		FOUNDATION PREPARATION	1.00	LS		\$	
0840	08100		CONCRETE-CLASS A	74.20	CUYD		\$	
0850	08150		STEEL REINFORCEMENT (REVISED: 7-12-16)	10,335.00	LB		\$	

Section: 0005 - SIGNING

LINE	BID CODE	ALT	DESCRIPTION	QUANTITY	UNIT	UNIT PRIC	FP	AMOUNT
0860	06406		SBM ALUM SHEET SIGNS .080 IN	416.00	SQFT		\$	
0870	06407		SBM ALUM SHEET SIGNS .125 IN	90.00	SQFT		\$	
0880	06410		STEEL POST TYPE 1	991.00	LF		\$	
0890	06490		CLASS A CONCRETE FOR SIGNS	1.00	CUYD		\$	
0900	21373ND		REMOVE SIGN	52.00	EACH		\$	
0910	24631EC		BARCODE SIGN INVENTORY	143.00	EACH		\$	

Section: 0006 - SIGNALIZATION

LINE	BID CODE	ALT	DESCRIPTION	QUANTITY	UNIT	UNIT PRIC	FP	AMOUNT
0920	04792		CONDUIT-1 IN	20.00	LF		\$	
0930	04793		CONDUIT-1 1/4 IN	70.00	LF		\$	
0940	04811		ELECTRICAL JUNCTION BOX TYPE B	2.00	EACH		\$	
0950	04830		LOOP WIRE	1,000.00	LF		\$	
0960	04844		CABLE-NO. 14/5C	1,700.00	LF		\$	
0970	04850		CABLE-NO. 14/1 PAIR	1,000.00	LF		\$	
0980	04895		LOOP SAW SLOT AND FILL	500.00	LF		\$	
0990	04931		INSTALL CONTROLLER TYPE 170	1.00	EACH		\$	
1000	04932		INSTALL STEEL STRAIN POLE	4.00	EACH		\$	
1010	04950		REMOVE SIGNAL EQUIPMENT	1.00	EACH		\$	
1020	20188NS835		INSTALL LED SIGNAL-3 SECTION	10.00	EACH		\$	
1030	20266ES835		INSTALL LED SIGNAL- 4 SECTION	1.00	EACH		\$	
1040	23157EN		TRAFFIC SIGNAL POLE BASE	18.00	CUYD		\$	
1050	23982EC		INSTALL ANTENNA	1.00	EACH		\$	
1060	24555ED		SIGNAL CONTROLLER	1.00	EACH		\$	

Section: 0007 - INTELLIGENT TRANSPORTATION SYSTEMS

LINE	BID CODE	ALT	DESCRIPTION	QUANTITY	UNIT	UNIT PRIC	FP	AMOUNT
1070	04820		TRENCHING AND BACKFILLING	830.00	LF		\$	
1080	04873		POLE 45 FT WOODEN	1.00	EACH		\$	
1090	04884		ANCHOR	2.00	EACH		\$	
1100	04885		MESSENGER-10800 LB	700.00	LF		\$	
1110	20391NS835		ELECTRICAL JUNCTION BOX TYPE A	2.00	EACH		\$	
1120	21543EN		BORE AND JACK CONDUIT	210.00	LF		\$	

161245

PROPOSAL BID ITEMS

Page 4 of 4

Report Date 7/12/16

LINE	BID CODE	ALT	DESCRIPTION	QUANTITY	UNIT	UNIT PRIC	FP	AMOUNT
1130	24124EC		PVC CONDUIT-2 IN-SCHEDULE 40	800.00	LF		\$	

Section: 0008 - DEMOBILIZATION &/OR MOBILIZATION

LINE	BID CODE	ALT	DESCRIPTION	QUANTITY	UNIT	UNIT PRIC	FP	AMOUNT
1140	02568		MOBILIZATION	1.00	LS		\$	
1150	02569		DEMOBILIZATION	1.00	LS		\$	